

**Go Green with Calfarme !
Saving Water, Money and the Planet.**

Environmentally friendly packaging refills in 50 ml sachet, reduce impact to our environment for disposal or handling. Empty sachets can be recycled or disposed with normal refuse. Concentrated refill dilute up to 20 parts with water (dilute up to 40 parts with water for General Purpose Hand Wash)

**FOAMCARE™ CONCENTRATED REFILLS
AVAILABLE:**

- Waterless/Anti-Bacterial Foam Hand Wash
- cleans and sanitizes the hands with or without water facility.
- Alcohol-Free Instant Foam Hand Sanitizer
- provides 24 hours anti-bacterial protection without rinse.
- Foaming Toilet Seat Sanitizer
- effective and quick-drying foam sanitizer system that clean toilet seat safely.
SAFE FOR SKIN CONTACTS.



Manufactured & Distributed by:
Calfarme (Singapore) Pte Ltd
AMK Tech Link, 20 Ang Mo Kio Industrial Park 2A,
#06-18 Singapore 567761.
Tel: 65 65564111 Fax: 65 65562444
Email: sales@calfarme.com

- Calfarme Products Sdn Bhd (Malaysia)
- Calfarme Australia Pty Ltd (Australia)
- Calfarme BioTech (Ningbo) Ltd (China)

AFD 1000



Automatic
foamcare
refillable foam dispenser

www.calfarme.com

**ADVANTAGES OF AUTOMATIC FOAMCARE™
DISPENSER FROM CALFARME!**

- TOUCH-FREE! Hygienic & Eco-Friendly.
- Instant foaming for quicker and easier hand wash
- Reduces water requirement compared to traditional washing cream
- Controls usage with longer interval between refilling
- Save Soap up to 95% - Concentrated refill dilute up to 20 parts with water



**Automatic FOAMCARE™ DISPENSER
MODEL NO:**

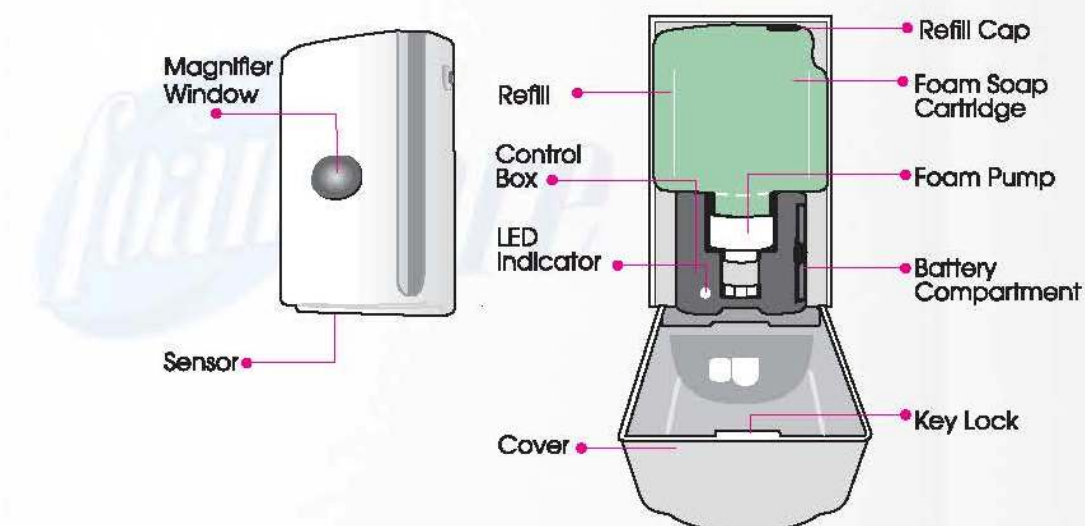
- AFD-1000W (White Cover) AFD-1000S (Silver Cover)

SPECIFICATIONS:

Refillable : 1,000ml / 2,500 doses
Per Dose = 0.4ml
Battery Operates: AA x 4 (last up 50,000 cycles)
Infrared Sensor: Automatic (no touch)
Indicator Lights: Blue(activated), Red (batteries low)
Controlled Dosing: Reduces soap usage and waste.
Dimensions: 240mm(H) X 142mm(W) X 100mm(D)
Materials: Durable ABS /PC cover

Australian Innovation Patent No. 2011101604.
International Patent Pending.

Automatic
foamcare
refillable foam dispenser
AFD 1000



INSTALLATION INSTRUCTIONS

1. TAPE MOUNTING:

- Decide where to install the dispenser for convenient user access.
- Clean entire mounting surface.
- Remove protecting cover from adhesive tape on back of dispenser.
- Carefully position dispenser and firmly press against the mounting surface for at least 10 seconds.

2. PERMANENT SCREW MOUNTING (OPTIONAL):

- Drill holes at a proper position on mounting surface.
- Insert wall plug and screw to secure dispenser permanently onto wall.

3. FOR USE:

- Place hand under the sensor below the dispenser for instant foaming product directly onto the palm of your hand, rub well before rinse with water.
- Large transparent magnifier window on the cover, easy to monitor the remaining contents of the refill and tell when to replace the refill.